



EN ■ Slow Juicer

READ CAREFULLY AND STORE FOR FUTURE USE.

- This appliance may be used by persons with physical or mental impairments or by inexperienced persons, if they are properly supervised or have been informed about how to use the product in a safe manner and understand the potential dangers.
- Children must not use this appliance or play with it. Keep the appliance and its power cord out of their reach.
- This appliance is intended for home use. It is not intended for use in locations such as:
 - staff kitchens in stores, offices and other workplaces;
 - agricultural farms;
 - hotel or motel rooms and other living areas;
 - bed and breakfast establishments.
- Do not use the appliance in an industrial environment or outdoors.
- Only place the appliance on an even, dry and stable surface.
- Do not place the appliance on or near devices that are a source of heat.
- Never use accessories, which have not been supplied with this appliance or which have not been explicitly recommended by the manufacturer for this appliance.
- Before connecting the appliance to a power socket, make sure the voltage stated on its rating label corresponds to the voltage in your power socket.
- Make sure that the appliance is correctly assembled before putting it into operation.
- Prior to juicing, remove hard stones that are contained in, for example, apricots, peaches, mangoes, etc. and inedible peels, e.g. from oranges, pineapples, melons, mandarins, etc.
- Do not use the juicer for processing frozen or excessively hard ingredients, e.g. sugar cane.



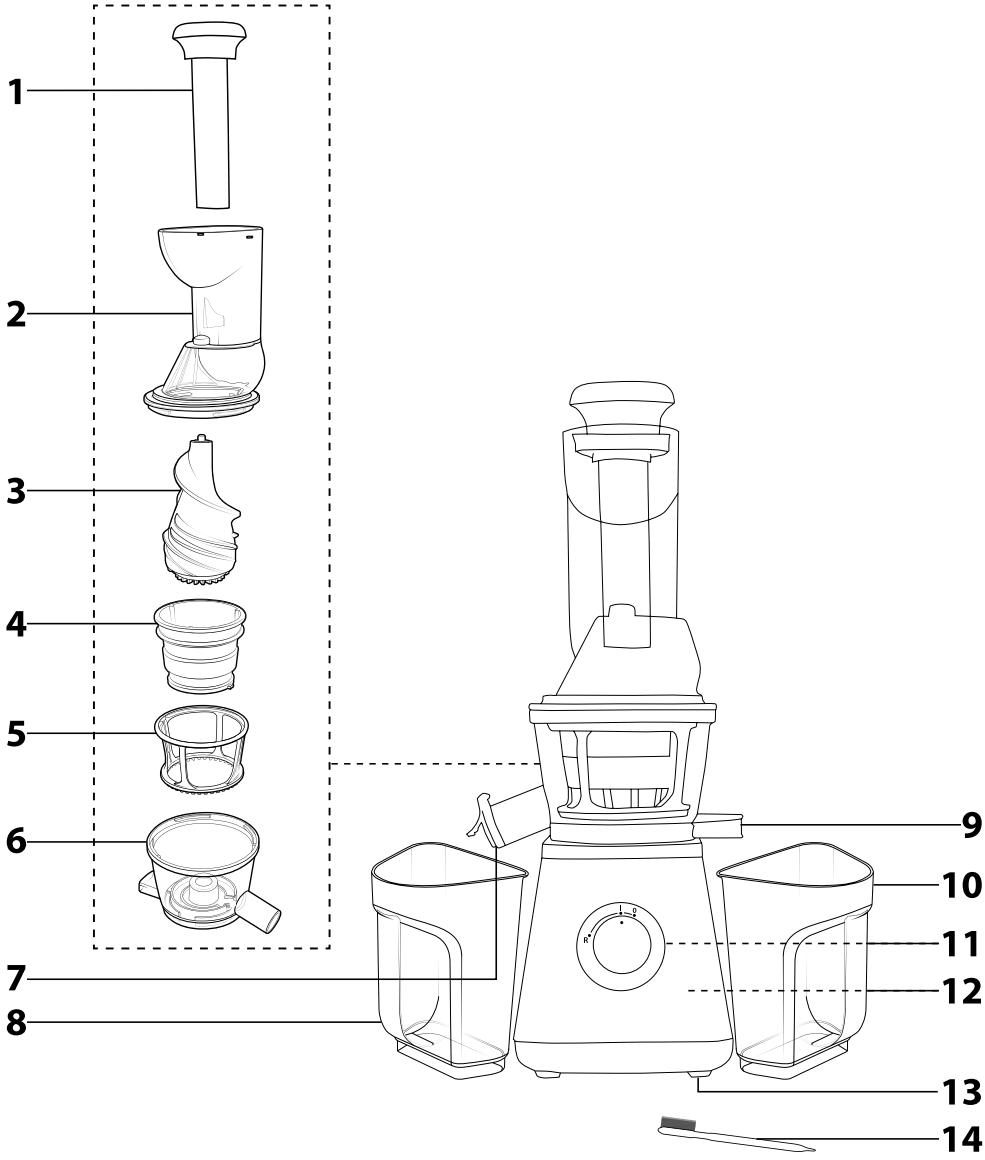
Warning:

Incorrect use may result in injury.

- Always use the supplied pusher to push the fruit and vegetables through the feed tube. Never use your hands or other items.

- Always turn off the appliance and disconnect it from the power socket if you will not be using it and if you are leaving it without supervision, before assembly, disassembly or cleaning.
- Prior to removing parts that move during use, check that the appliance is turned off and disconnected from the power socket and wait until the moving parts come to a stop.
- Do not wash the base of the appliance under running water or submerge it in water or another liquid.
- Ensure that the power plug contacts do not come into contact with water or moisture.
- Do not place heavy items on the power cord. Make sure the power cord does not hang over the edge of a table or that it does not touch a hot surface.
- Do not disconnect the appliance from the power socket by pulling on the power cord. This could damage the power cord or the power socket. Disconnect the cord from the power socket by gently pulling the plug of the power cord.
- It is forbidden to use the appliance if it has a damaged power cord or plug. If the power cord is damaged, have it replaced at a professional service centre.
- Do not use the appliance if its strainer or any other part of the appliance is damaged. To prevent causing a dangerous situation, do not repair the appliance yourself. Have all repairs or adjustments performed at an authorised service centre. By tampering with the appliance you risk voiding your legal rights arising from unsatisfactory performance or quality warranty.

A



- Prior to using this appliance, please read the user's manual thoroughly, even in cases, when one has already familiarised themselves with previous use of similar types of appliances. Only use the appliance in the manner described in this user's manual. Keep this user's manual in a safe place where it can be easily retrieved for future reference.
- We recommend saving the original cardboard box, packaging material, purchase receipt and responsibility statement of the vendor or warranty card for at least the duration of the legal liability for unsatisfactory performance or quality. In the event of transportation, we recommend that you pack the appliance in the original box from the manufacturer.

DESCRIPTION OF THE JUICER

A1 Pusher	A7 Closable juice spout
A2 Large feed tube with lid Feed tube is divided into two chambers. The pusher is inserted through the smaller hole into the rear chamber and ingredients are inserted through the larger hole into the front chamber.	A8 Juice jug with capacity of 0.8 l
A3 Pressing screw	A9 Pulp ejection chute
A4 Stainless steel filtration microstrainer	A10 Pulp container with capacity of 0.8 l
A5 Microstrainer holder	A11 Control knob for turning the juicer on and off with the option of setting reverse motor rotation R-0-l (reverse motor rotation-off-on)
A6 Juice collector from Tritan	A12 Base with motor unit
	A13 Anti-slip feet
	A14 Cleaning brush

THE PRINCIPLE AND ADVANTAGES OF A SLOW JUICER

- The operating principle of this juicer is based on a system where ingredients are juiced slowly. The pressing screw **A3** first coarsely masticates the inserted ingredients and in the subsequent phase juice is separated from the pulp. Juice pressed out in this way contains minimal fibre content and so is characterised by a high purity, it is slower to oxidise and retains valuable vitamins and enzymes. The strainer holder **A5** is fitted with a spatulas that automatically clean the microstrainer **A4** during operation. This prevents its excessive clogging and makes it easier to clean after use.
- This juicer is suitable for juicing both soft and hard fruits and vegetables such as citrus fruits, currants, gooseberries and other berries, apples, pears, carrots, beetroot, cucumbers, pineapple, melon, etc. It can even handle leafy vegetables, however we recommend to process them together with other fruits and vegetables.
- It is not particularly suitable for juicing overripe fruits or floury apples.

BEFORE FIRST USE

1. Remove all packaging materials from the appliance and its accessories.
2. Thoroughly wash all removable parts (pusher **A1**, feed tube with lid **A2**, pressing screw **A3**, strainer **A4**, strainer holder **A5**, juice collector **A6** and the juice jug **A8** and pulp container **A10**) that come into contact with food in warm water using kitchen detergent. Then rinse all these parts under clean running water and thoroughly wipe dry with a fine wiping cloth.



Note:

All removable parts are suitable for washing in a dishwasher.

ASSEMBLING THE JUICER

1. Place the base motor unit **A12** on an even, dry and stable surface. During assembly, the appliance must be turned off and disconnected from the el. power socket.
2. Pick up the juice collector **A6** and turn it upside down. There is a black silicone plug on the bottom of the collector at the pulp ejection chute **A9**. To prevent pulp from escaping out off the pulp ejection chute **A9**, it is necessary to properly seal the hole at the pulp ejection chute **A9** with the silicone plug.



Note:

To enable easier cleaning, the pulp ejection chute **A9** has a hole with a silicone plug.

3. Turn the juice collector **A6** back over. Place it on the base **A12** so that the projections on the top side of the base **A12** slide into the holes on the bottom of the juice collector **A6**. Turn the juice collector **A6** clockwise to firmly connect it to the base **A12**. When the juice collector **A6** is correctly attached to the base **A12**, it cannot be lifted up separately.
4. Insert the strainer **A4** into the holder **A5**.

5. Into the juice collector **A6**, place the holder **A5** with the inserted strainer **A4** so that the symbol "●" on the strainer **A4** is in alignment with the same symbol marked on the juice collector **A6**. Firmly push down the holder **A5** with the strainer **A4** making sure that the gear at the bottom of the holder **A5** fits into the gear wheel on the bottom of the juice collector **A6**.
6. Insert the pressing screw **A3** into the strainer **A4** and push it down and turn it so that it is properly seated it on the drive shaft of the motor unit.
7. Place the feed tube with the lid **A2** on to the juice collector **A6**. Make sure that the open lock symbol marked on the lid **A2** is aligned with the "●" symbol on the juice collector **A6**. Then turn the feed tube **A2** clockwise all the way. This will secure the lid **A2** on the juice collector **A6**. The "●" symbol marked on the juice collector **A6** will now be aligned with the closed lock symbol on the lid **A2**.
8. Insert the pusher **A1** into the feed tube **A2**.

USING THE JUICER

1. Make sure that the juicer is correctly assembled and then connect it to the el. power socket. The juicer is equipped with a safety mechanism that prevents it from being started unless the lid is correctly secured in the correct position.
2. Place the juice jug **A8**, a glass or another suitable container below the juice spout **A7**. Open the lock of the juice spout **A7** so that the juiced juice can flow freely out of the juice collector **A6**. Place the pulp container **A10** below the pulp ejection chute **A9**.
3. Prepare the fruit or vegetables. Thoroughly wash the ingredients. Cut up any larger pieces that do not pass through the feed tube **A2**. Remove hard stones that are contained in, for example, apricots, peaches, mangoes, etc. and inedible peels, e.g. from oranges, pineapples, melons, mandarins, etc.
4. Prior to starting the juicer, make sure that the lid is properly secured in the correct position. Turn on the juicer by turning the control knob **A11** to position 1 (On). Take the pusher **A1** out of the feed tube **A2**. Gradually add the prepared ingredients into the feed tube **A2** and push them down using the pusher **A1**. You will achieve optimal results if you fill the feed tube **A2** gradually pushing the ingredients down gently.



Attention:

Do not use fingers or other utensils to push ingredients through the feed tube **A2**. Always use the pusher **A1** designed for this purpose. Only insert the pusher **A1** into the rear chamber of the feed tube **A2**. The maximum time of non-stop operation of this appliance is 15 minutes. Then allow it to cool down for 10 minutes.

5. If the juice jug **A8** or pulp container **A10** fill up during the juicing process, turn the juicer off by turning the control knob **A11** to position 0 (Off), empty out the respective container and then put it back in its place. Then you can put the juicer back into operation and continue juicing.
6. When you have finished juicing, we recommend that you remove pulp remains from the juice collector **A6**. Hold the control knob **A11** in the "R" position (reverse motor rotation) for 3–5 seconds, and then release it so that it returns to the 0 position (Off). Repeat the entire process two to three times. You can do the same in the event that you clog up the appliance with an excessive amount of ingredients.
7. Turn the juicer off by setting the control knob **A11** to position 0 (Off) and disconnect it from the power socket. Prior to removing the juice jug **A8**, we recommended closing the spout **A7** so that juice does not drip out of it.
8. Disassemble the juicer, see chapter Disassembling the juicer and clean it out according to the instructions contained in chapter Cleaning and maintenance.

DISASSEMBLING THE JUICER

1. Before disassembling the juicer, make sure that it is turned off and disconnected from the power socket. Make sure that all parts that move during operation have stopped moving.
2. Close the juice spout **A7** and remove the juice jug **A8** and the pulp container **A10**. Remove the pusher **A1** from the feed tube **A2**.
3. Turn the feed tube **A2** anticlockwise until the open lock symbol shown on the lid **A2** is aligned with the "●" symbol on the juice collector **A6** and then take it off the juice collector **A6**.
4. Remove the juice collector **A6** with the holder **A5**, the strainer **A4** and the pressing screw **A3** inside from the base **A12** by turning it anticlockwise and lifting it up.



Note:

It will be easier to take the juice collector **A6** off the base **A12** when you clean out the pulp remains after juicing, as described in point 6 in chapter Using the juicer.

5. Remove the pressing screw **A3**, the strainer **A4** and the holder **A5** from the juice collector **A6**.

USEFUL ADVICE AND TIPS

- Thoroughly wash all the ingredients before you start juicing. Cut up any larger pieces that do not pass through the feed tube **A2**. Remove hard stones that are contained in, for example, apricots, peaches, mangoes, etc. and inedible peels, e.g. from oranges, pineapples, melons, mandarins, etc.
- To achieve optimal results, always process only fresh ripened fruits and vegetables. Overripe or unripe fruits and vegetables will negatively affect the resulting taste of the juice.
- If you juice fruits and vegetables of varying consistency, we recommend that you start with the softer fruits and vegetables, e.g. citruses, berries, etc. and then proceed on with harder fruits and vegetables, e.g. apples, carrot.
- Juice leafy vegetables together with other fruits and vegetables, e.g. apples, carrot, beetroot, citruses, etc. pushing them into the feed tube **A2** at the same time.
- Do not use the juicer for processing frozen or excessively hard ingredients, e.g. sugar cane.
- Place the ingredients into the feed tube **A2** gradually and push through gently with mild pressure. Do not overfill the feed tube **A2** and do not push the ingredients in too quickly and with excessive pressure. The process separating the juice from the pulp occurs gradually and will not be sped up by pushing ingredients in quickly.
- To prevent freshly pressed apple juice from turning brown, you can add a little lemon juice.
- To prevent losing valuable minerals, we recommended consuming the juice immediately after it is pressed.

CLEANING AND MAINTENANCE

- Clean out the juicer after every use. Before cleaning it, make sure that the juicer is turned off, disconnected from the power socket and properly disassembled.
- Remove juice and pulp residues from the juice jug **A8** and the pulp container **A10**. Thoroughly wash both the juice jug **A8** and the pulp container **A10**, the pusher **A1**, the feed tube with hopper and lid **A2**, strainer holder **A5** and the pressing screw **A3** in warm water with kitchen detergent. Then rinse them under clean running water and thoroughly wipe dry with a fine wiping cloth.
- Thoroughly wash the strainer **A4** and the juice collector **A6** under warm running water using kitchen detergent and the included brush **A14**. If you are unsuccessful in cleaning out the small holes in the strainer **A4**, soak it first in warm water containing lemon juice. The pulp ejection chute **A9** at the juice collector **A6** has a hole with a silicone plug. To make cleaning easier, open the plug and clean the hole thoroughly. Do not forget to properly seal the plug after cleaning it. Then to finish off, rinse the strainer **A4** and the juice collector **A6** under clean running water and thoroughly wipe dry with a fine wiping cloth.



Note:

We recommend that all accessories are washed immediately after use. Dried on juice and pulp residues are far more difficult to remove and may clog the holes in the strainer **A4** and reduce subsequent juicing efficiency.



Note:

All removable parts are suitable for washing in a dishwasher.

- For cleaning the base unit **A12** use a cloth lightly dipped in a weak solution of water and neutral kitchen detergent. Then wipe the surface of the base unit **A12** with a clean dampened cloth and dry thoroughly. Never submerge the base unit **A12** in water.
- Do not use abrasive cleaning products, solvents, thinners, etc. Otherwise the surface of the appliance may be damaged.

STORAGE

- When not using the appliance, store it in a dry place out of children's reach. You can store the appliance assembled.

TECHNICAL SPECIFICATIONS

Rated voltage range	220–240 V
Rated frequency.....	50/60 Hz
Rated power input	400 W
Noise level	70 dB(A)

The declared noise emission level of the appliance is 70 dB(A), which represents a level A of acoustic power with respect to a reference acoustic power of 1 pW.

Changes to text and technical parameters are reserved.

INSTRUCTIONS AND INFORMATION REGARDING THE DISPOSAL OF USED PACKAGING MATERIALS

Dispose of used packaging material at a site designated for waste in your municipality.

DISPOSAL OF USED ELECTRICAL AND ELECTRONIC EQUIPMENT



This symbol on products or original documents means that used electric or electronic products must not be added to ordinary municipal waste. For proper disposal, renewal and recycling hand over these appliances to determined collection points. Alternatively, in some European Union states or other European countries you may return your appliances to the local retailer when buying an equivalent new appliance.

Correct disposal of this product helps save valuable natural resources and prevents potential negative effects on the environment and human health, which could result from improper waste disposal. Ask your local authorities or collection facility for more details.

In accordance with national regulations penalties may be imposed for the incorrect disposal of this type of waste.

For business entities in European Union states

If you want to dispose of electric or electronic appliances, ask your retailer or supplier for the necessary information.

Disposal in other countries outside the European Union

This symbol is valid in the European Union. If you wish to dispose of this product, request the necessary information about the correct disposal method from the local council or from your retailer.



This product meets all the basic requirements of EU directives related to it.